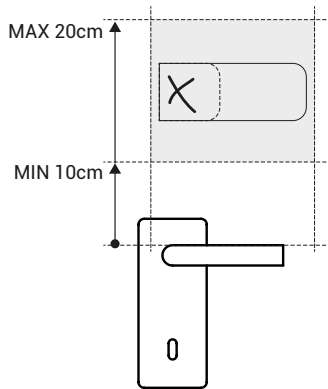
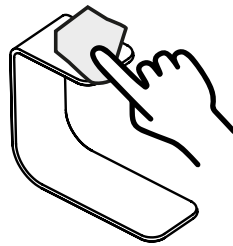


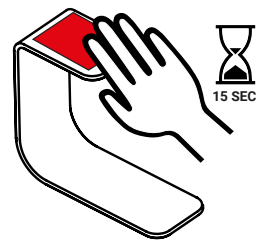
- 1.**
Mark an area above the door handle to install your ELBOPEN on it. 10-20 cm above the door handle is good!



- 2.**
Clean the shorter side using the included Alcohol pad.

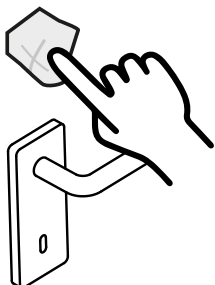


- 3.**
Remove one side of the the protective cover from the included tape in one piece and apply the tape to the cleaned surface.
Push firmly for 15 seconds.



NO bubbles, NO dust, NO fingerprints on the tape or the surface.

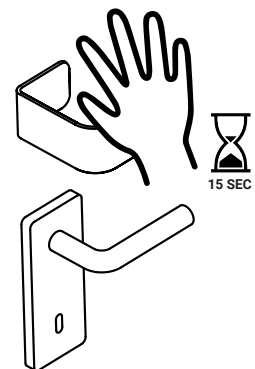
- 4.**
Clean the marked area on the door properly using the Alcohol pad.



- 5.**
Remove the protective label from the 3M tape in one piece.



- 6.**
Install your ELBOPEN on the cleaned area on the door.
Apply pressure for 15 seconds.



For optimal bonding leave it **at least for a day.**